



13"-24"

400 V



HGV wheel balancer

Item No.: TW F-50T

Description

Professional wheel balancer for trucks. Equipped with a pneumatic wheel lifter, ideal for heavy wheels and a foot pedal brake. It is also possible to balance car and transporter wheels.

Features

- 1A Quality built with CE-Certificate
- Manufactured in accordance to ISO 9001
- Measured values are shown when the wheel brakes
- Large LED display
- Various programs available: dynamic, static and aluminium
- Integrated calibration and self-diagnostic program
- Easy to use keyboard
- Special clamp for HGV wheels
- Side holder for the gauge and centering cones

Delivery contents

- Wheel balancer
- Centering cones (4 pcs.)
- Gauge and weight calipers
- Quick release nut
- Pressure cup, Rubber lip
- Calibration weight
- English instruction manuals
- Product video online



Please consult our technical decision-maker (on page 52) before purchasing your wheel balancer (s)!

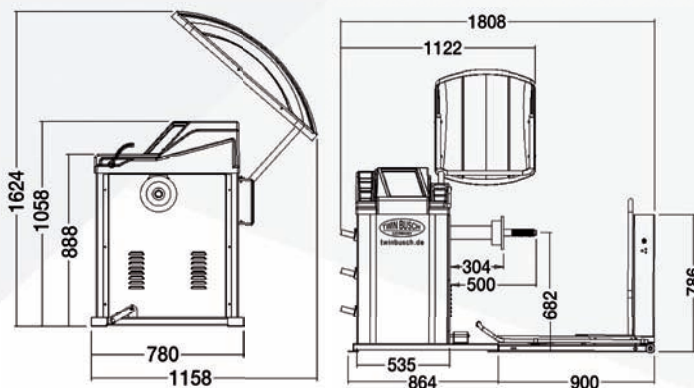


Details



(1) 13 storage compartments (2) ON/OFF switch (3) Foot brake (4) Convenient joystick control (5) User friendly keypad for easy data input, slanted display for optimal readings

Dimensions | Technical Data | Accessories



Extensive accessories

Technical data: TW F-50 T	
Wheel width	1,5" - 20"
Wheel diameter	13" - 24"
Wheel weight (max.)	165 kg
Measuring time (approx.)	8 sec.
Power supply	400 V / 3 Phase
Noise level	< 70 dB
Weight (approx.)	293 kg